

AUTOMOTIVE ENGINES
AIR-COOLED DIESEL ENGINES
TYPE GA-75
TECHNICAL SPECIFICATION



4400/4450



4510

Vertical, single cylinder, air-cooled, cold starting, compression ignition, four stroke high speed diesel engines.

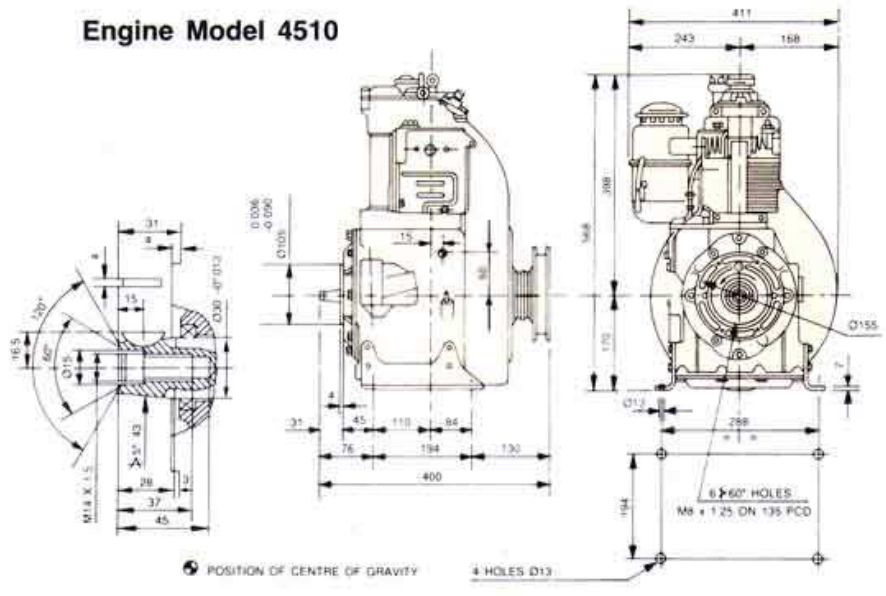
MODEL		4400	4450	4510
Bore	mm	80	85	85
Stroke	mm	80	80	90
Displacement	cm ³	402	454	510
Compression Ratio	-	17.5:1	17.5:1	17.5:1
Fuel Tank capacity	Litres	5.5	5.5	5.5
Oil Sump capacity	Litres	1.75	1.75	1.75
Lub Oil consumption	kg/hr	0.017	0.020	0.022
Dry weight	kg	57	57	59
Maximum Torque	kgm	2.26	2.85	3.00
RPM		3000	3000	3000
HP N DIN 70020		8.5	10	11
SFC gm/bhp/hr		206	188	196

RATINGS N DIN 70020

Automotive Rating : Intermittent duty at variable speed and load.

HPs indicated are valid for fully run in engines fitted with standard air cleaner and standard exhaust silencer. The maximum HP is guaranteed with a tolerance of 5%. The HP must be derated for ambient conditions as per the relevant standard.

Engine Model 4510



Engine Model 4400/4450/4451

