



GREAVES

SINCE 1859



HIGHLY FLEXIBLE

FUEL EFFICIENT

LIGHT WEIGHT

RELIABLE

COMPACT SIZE

HIGH
PERFORMANCE

LOWER
OPERATING COSTS

Greaves Auto Engines

GREAVES AUTOMOTIVE ENGINES



SPECIAL FEATURES

Greaves automotive engines are robust designed to meet critical performance requirement including:

- Direct injection Fuel injection system design for high fuel efficiency
- High power to and weight ratio
- Low maintenance cost
- Environment friendliness

EMISSION

Greaves automotive range of engines comply with the prevalent emission norms. Effective April 2016, entire range of automotive engines will comply with BS IV emission norms.

FUEL OPTIONS

Our product portfolio offers a range of diesel and gasoline engines. The gasoline engines are suitable for LPG/CNG adaptation.

QUALITY

Quality is the way of life at Greaves. Our world class manufacturing facilities and globally benchmarked manufacturing practices ensure quality, every time.

TECHNOLOGY

Greaves, as an acknowledged leader in automotive engines, has been focusing on developing cutting-edge proprietary technology to sustain its leadership. Towards this endeavor, it has established a Technology Centre dedicated to automotive engines development and is constantly looking for innovations to bring out the engines of the future.

At Greaves, we always strive to develop engines meeting the requirements of today by looking towards the demands of tomorrow like unlimited reliability, outstanding economy and environmental compatibility.

AFTER MARKET NETWORK

Greaves service network compliments the OEMs with an unmatched reach across the country through 48 distributors, 2800 touch points providing spares, 850 Authorized Trained Mechanics and with more than 4800 skilled freelance factory-trained mechanics ensuring service for each and every customer.

AN ENGINE FOR EVERY NEED



Technical Data - Diesel Engine

Engine Models		G435 A IV	G510AIII**	G 6+ +IV	2GT 870 W III
Number of cylinders		1	1	1	2
Type of cooling		Air	Air	Water	Water
Bore/stroke	mm	86 x 75	85/90	92 X 94	86/75
Displacement	cc	435	510	600-650	871
Compression ratio		19:1	17.5 :1	19 : 1	18:1
Rated speed	rpm	3600	3000	3000	3000
Mean piston speed	m/s	9	9	9.2-9.4	9
Power ratings at rated speed for automotive engine	hp	8	10.2	12-13	17
Mean effective pressure	bar	5.7	5.99	5.5-7.1	4.94
Max. Torque at speed	Nm	20	27	35-40	41±2
	rpm	2400-2200	1800-2400	1600 - 1800	2200-2400
Minimum idle speed	rpm	1150±50	1150±100	1050 - 1150	1000 ± 50
Specific fuel consumption at rated speed	g/hphr	225	196	195 - 205	~195
Dry Weight dry	kg	48	64	65 - 69	110

*Weight is without air filter & exhaust muffler. **Upgradable to BS-IV for dedicated gasoline.

Technical Data - Gasoline Engine

Engine Models			G400WG**	G4510WG**
Number of cylinders			1	1
Type of cooling			Water	Water
Bore/stroke	mm		86 X 68	85 X 90
Displacement	cc		395	510
Compression ratio			9:1	9:1
Rated speed	rpm		3600	3000
Mean piston speed	m/s		8.2	9.0
Power ratings at rated speed for automotive engine	Gasoline		10.0	12.8
	LPG	hp	9.5	11.7
	CNG		9.0	10.5
Mean effective pressure		bar	6.3	6.3
Max. Torque at speed	Gasoline	Nm	23	37
	LPG		22	36
	CNG		21	30
		rpm	1800 - 2200	1800-2200
Minimum idle speed		rpm	1250	1150
Specific fuel consumption at rated speed	Gasoline		260	250
	LPG	g/hphr	240	230
	CNG		240	230
Dry Weight dry		kg	45	60

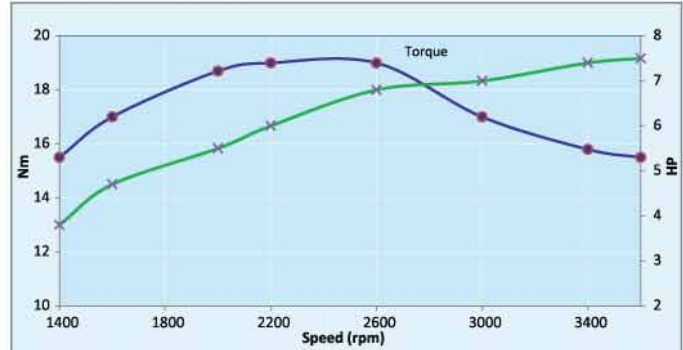
**Available BS-IV engine for Alternate fuel CNG /LPG. Upgradable to BS-IV for dedicated gasoline.

Power and Torque Curves

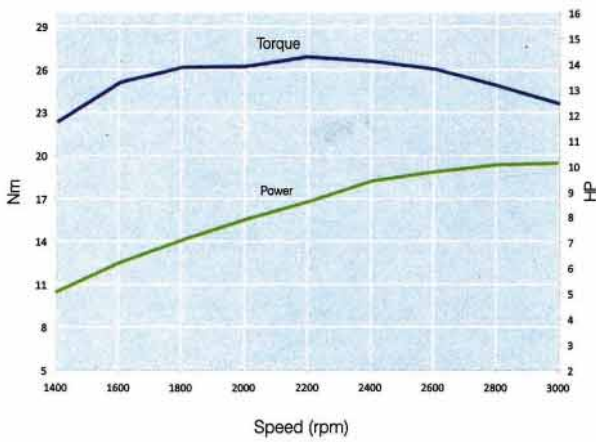
Diesel - G6+ +IV



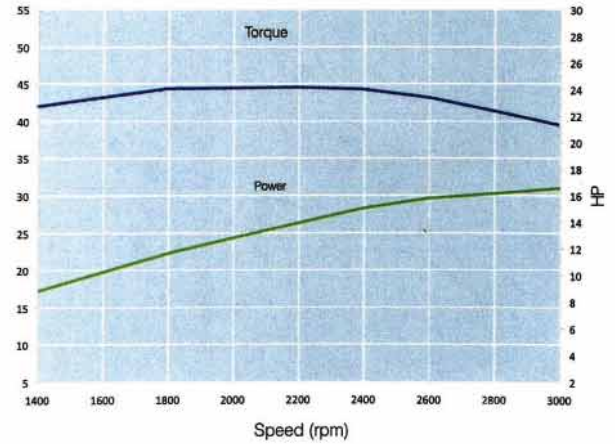
Diesel - G435 A IV



Diesel - G510 AIII**



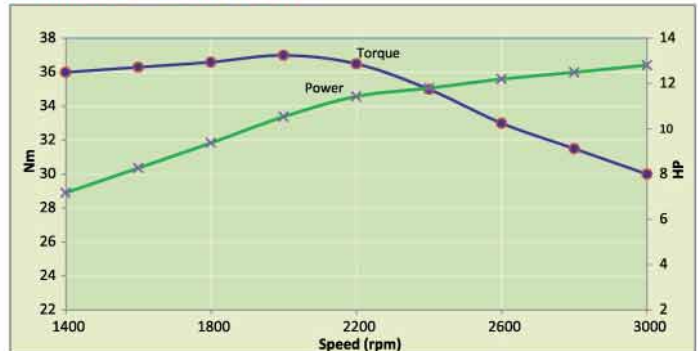
Diesel - 2GT 870 VIII



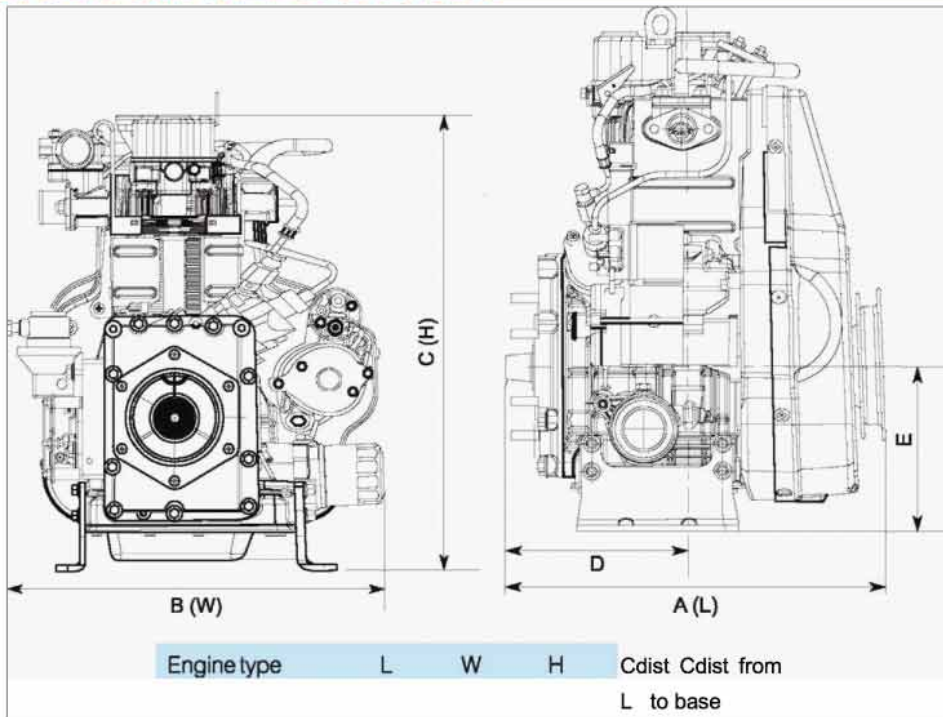
Gasoline - G400 WG**



Gasoline - G4510 WG**

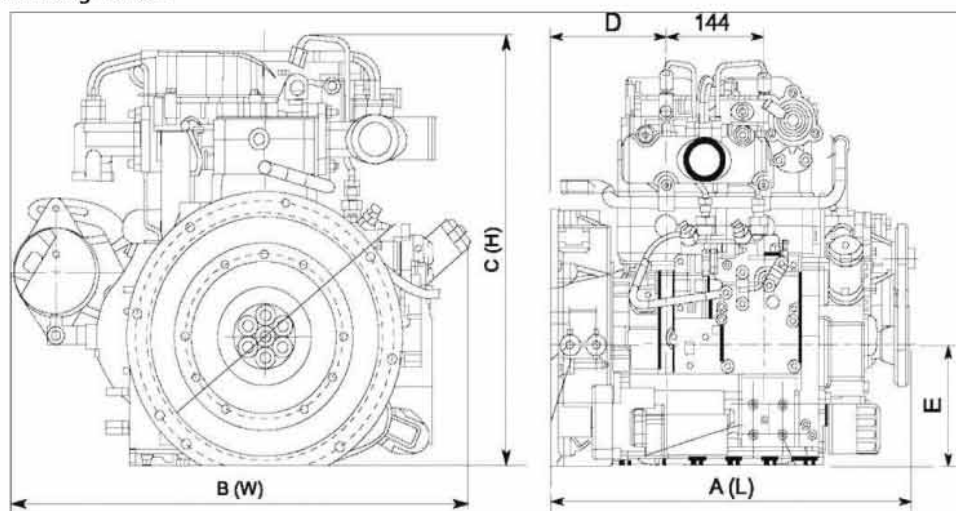


Dimensional Details



Engine type	A	B	C	D	E
G 435 A IV Front	366	376	493	186	164
G 435 A IV Rear	485	376	493	269	164
G 400 WG** Front	376	341	484	178	164
G 400 WG** Rear	415	351	485	269	164
G 510 AIII**	389	397	637	186	*200
G 4510 WG** Front	440	397	613	186	200
G 4510 WG** Rear	387	512	668	186	249
G 6 ++IV	395	690	480	179	-

* With transportation engine feet



Engine type	L	W	H	Cdist from L	Cdist to base
	A	B	C	D	E
2G 870 WIII	660	500	530	159	158.4

Light Commercial Vehicle Applications



GREAVES
SINCE 1859

Greaves Cotton Limited

Registered Office: 3rd Floor, Motilal Oswal Tower, Junction of Gokhale & Sayani Road,
Prabhadevi, Mumbai 400 025, India.

Tel: +91 22 33551700 | Fax: +91 22 33812799

Email: info@greavescotton.com | Website: www.greavescotton.com

